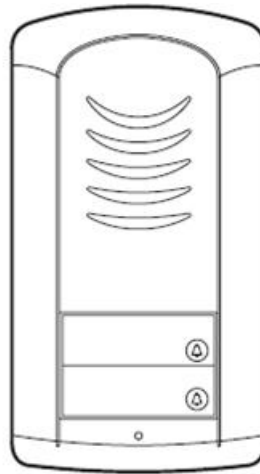
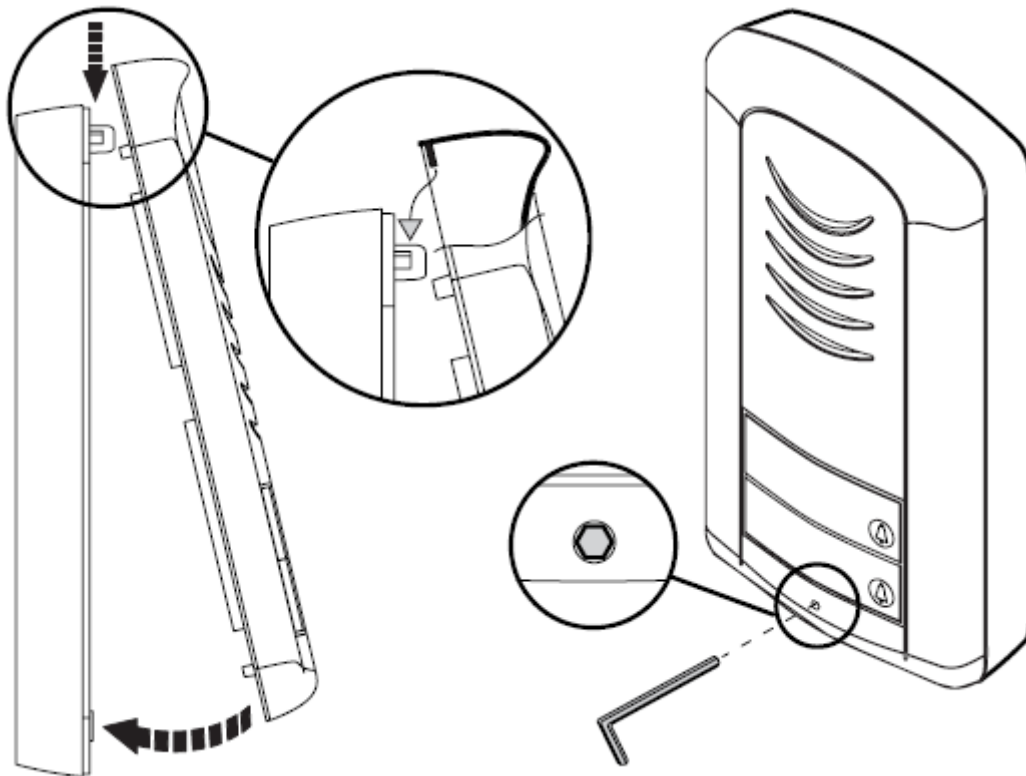


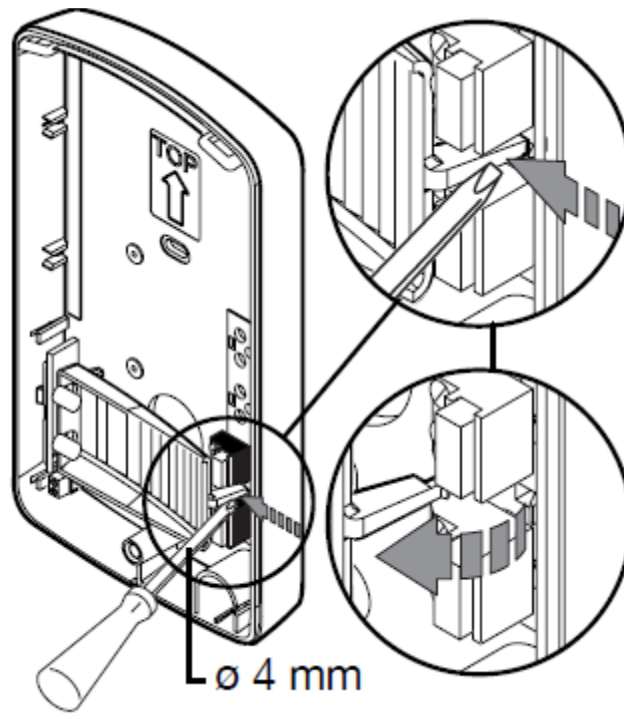
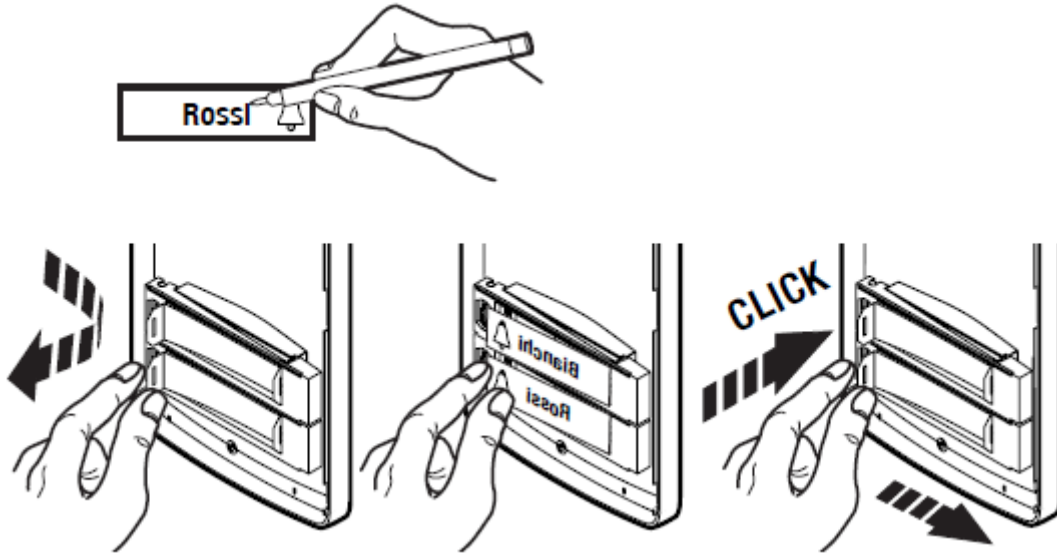
## Quick Setup Guide for the IP Slim audio doorphone

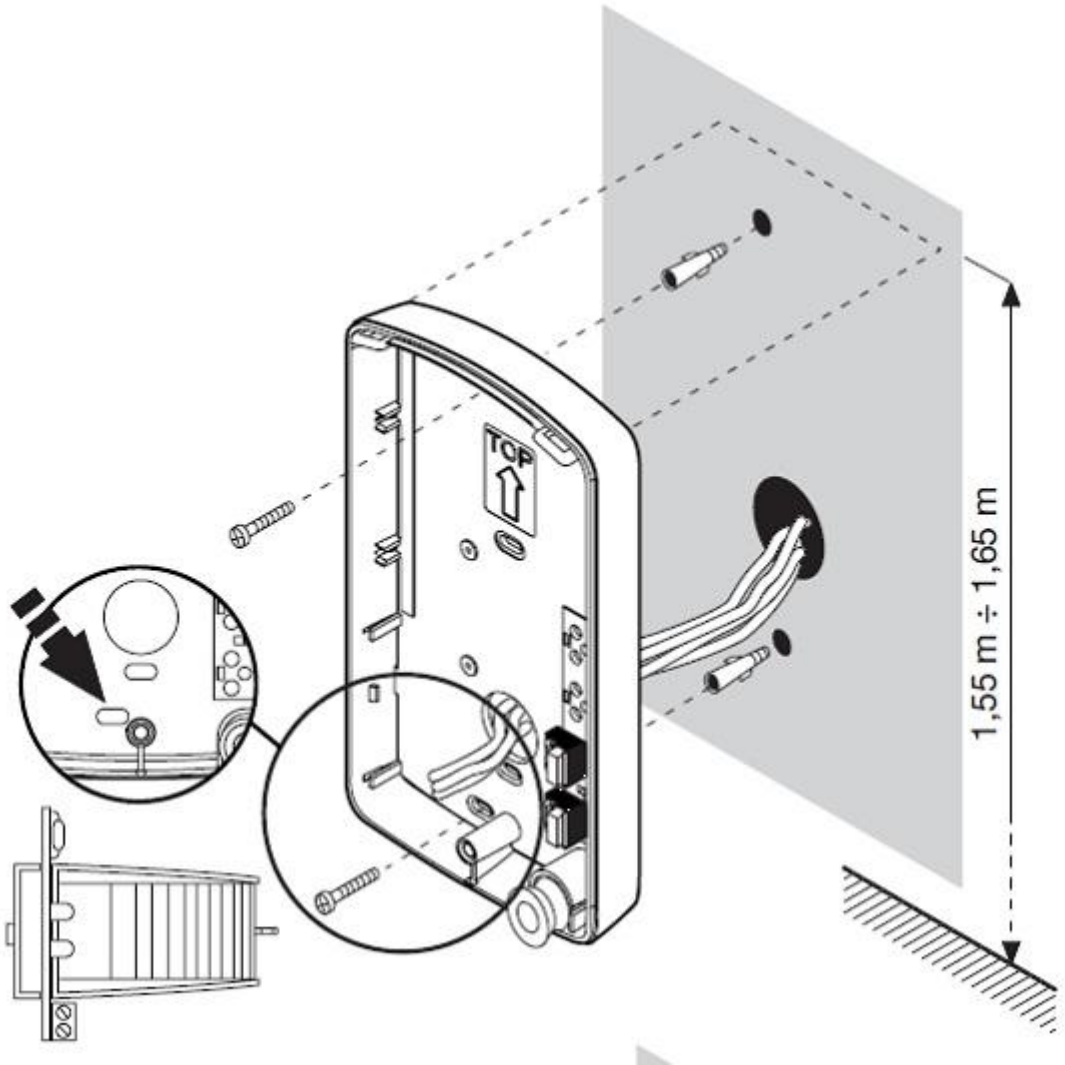


### Opening the cover

- Use the supplied Allen key to open the cover.
- To change the button labels, look at figure 3 & 4 below.



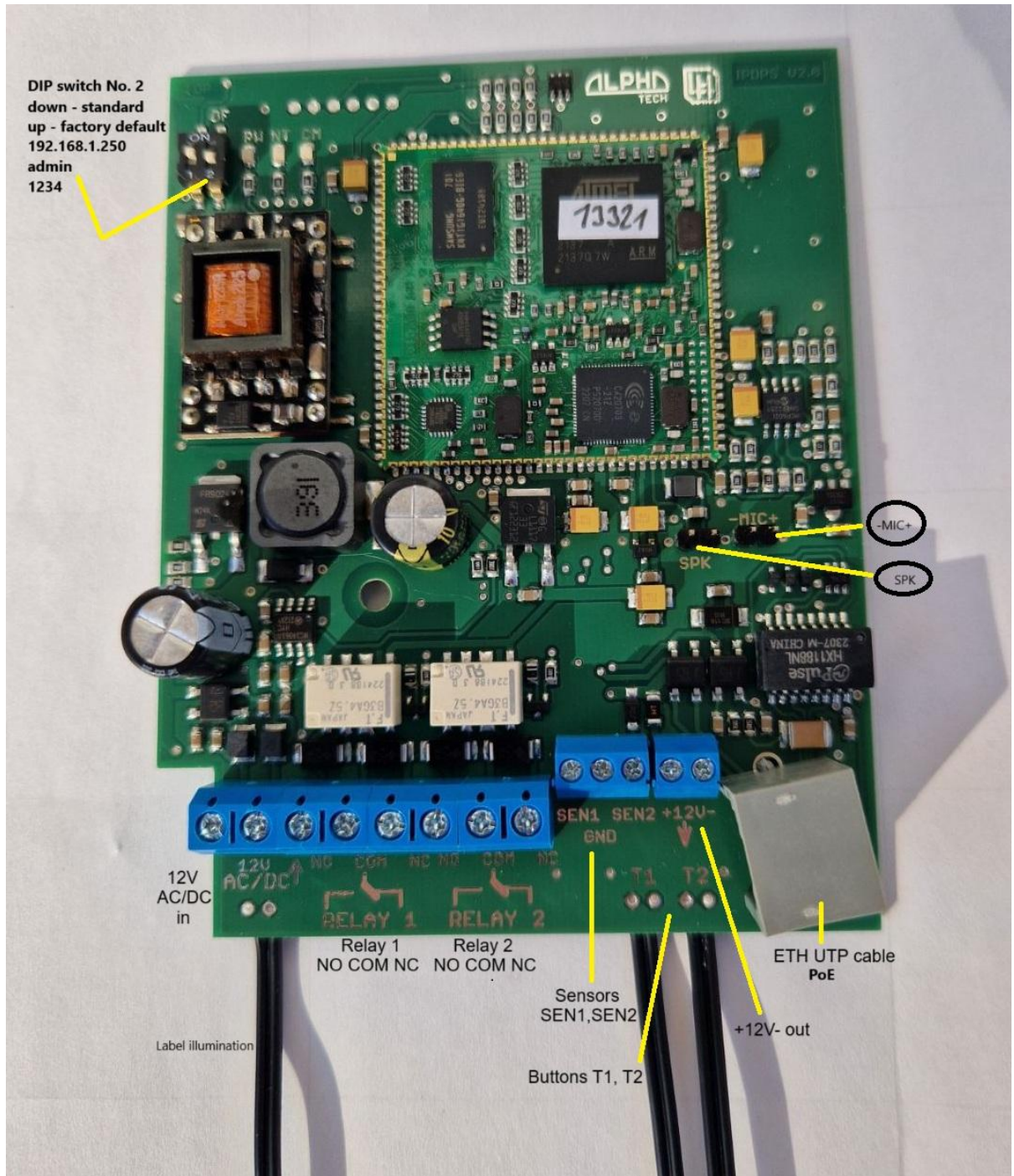




### Wiring

- Remove the Cover as per above diagram
- Feed the Ethernet cable through the cable hole.
- Fix the door phone to the wall using the template, screws and rawlplugs supplied.

- In order to power a standard electrical lock, a 12VDC/1A power supply is required.
- There are two options to control external devices e.g. Lock, Light, Bell. Either NO (Normally Open) or NC (Normally Closed).



**IP-Slim-PCB-audio-board**

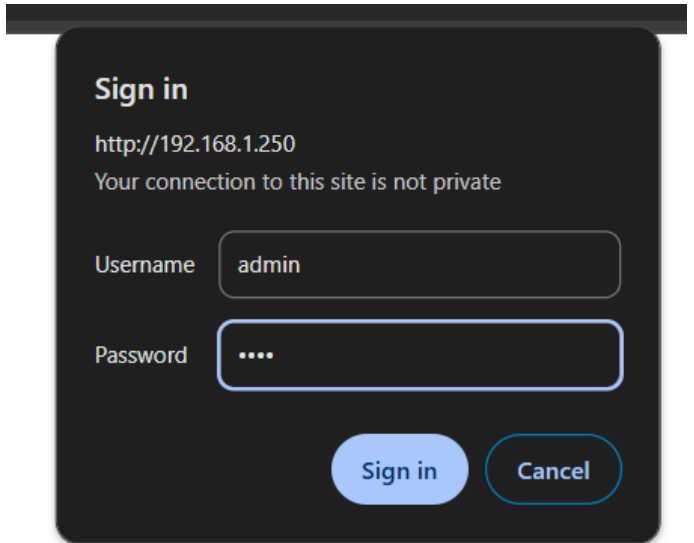


### Quick Setup

- The DoorPhone comes with a static IP address of 192.168.1.250 with username: admin and password: 1234


### Programming the Door Phone

- Change your PC IP address within the range of 192.168.1.x
- Open your browser and point to 192.168.1.250
- Enter username: admin and password: 1234
- For more advanced options, please refer to the manual of the IP BOLD doorphone, settings are the same.
- <https://www.alphatech-cz.eu/en/ip-bold>



192.168.1.250/viewcam

audio version without camera

 IP DoorPhone camera image

Stop Play Open Open [Setup](#)  
door sensors status

### Customer at front door (Door Phone)

When a customer comes to the front door, he presses one of the buttons, the unit then dials the destination number or IP address that is preprogrammed. The staff member answering the call, can talk to the customer at the front door and to let the staff member in the front door, the staff member presses 55 on his handset to open the door.

