

## IP BOLD65 quick setup guide

First steps before you start programming the unit

Warning: before you start working with the unit, please read instructions below to avoid losing the warranty.



Item No. 230501 IP BOLD65 T1C



Item No. 230502 IP BOLD65 T2C

Thank you for purchasing the IP BOLD65 video doorphone.

Initially select your correct place of installation to achieve the best results. IP BOLD65 is designed to be surface mounted. Before mounting the IP BOLD65, please check that the place of installation meets the following requirements as shown at the Fig 1 below. Persons with an average height will be displayed well on the screen of IP videophone or your computer screen if you install the camera at 160cm height above the ground. The camera should not be installed at places where the sun is shining to the camera directly, where there is a very strong, intensive light source or where there are reflexive materials used. This will cause a bad image quality.

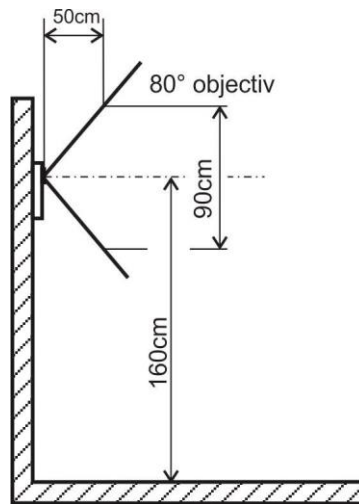


Fig 1 Correct height of installation, camera should be installed at 160cm height above the ground level

Installation is done with four twist screws and four wall plugs.

Mounting plate – see Fig. 2 below.

Recommended:

- 4x wall plug with a diameter of 8mm
  - 4x screw (a twist) with a half-round head. Diameter 5mm, length 35mm
- !!! On the screws please use the supplied rubber rings for protection against water leakages !!!
- We recommend the following surface mounting procedure:
- Open the front cover of the unit, disconnect the call buttons cable (point 22, Fig. 5 below)
  - Use the supplied rubber bushing for all cables (ETH UTP cable, power supply adapter cable, relay wires)
  - Lead in the cables and wires through the rubber busing (see Fig. 8 below)
- Fix the unit safely to the surface of the wall (use screws with wall plugs). Fix all 4 screw holes and do not forget to use the rubber rings for screws to avoid water leakages.
- Be careful to provide enough space inside the wall behind the IP BOLD65 unit for the rubber bushing to avoid damaging the rubber bushing, jamming and damaging the cables, see Fig. 10 below
  - Connect all the wires, see Fig. 13 and next Figures
  - Close the top front cover of the unit, see Fig. 3 with the closed top front cover.
  - **Only after the front cover has been closed properly with screws, you can make audio tests correctly. Please do not make audio tests with the front cover open. The IP BOLD65 doorphone has been designed to work correctly, especially relating to the audio quality, with the closed front cover only.**

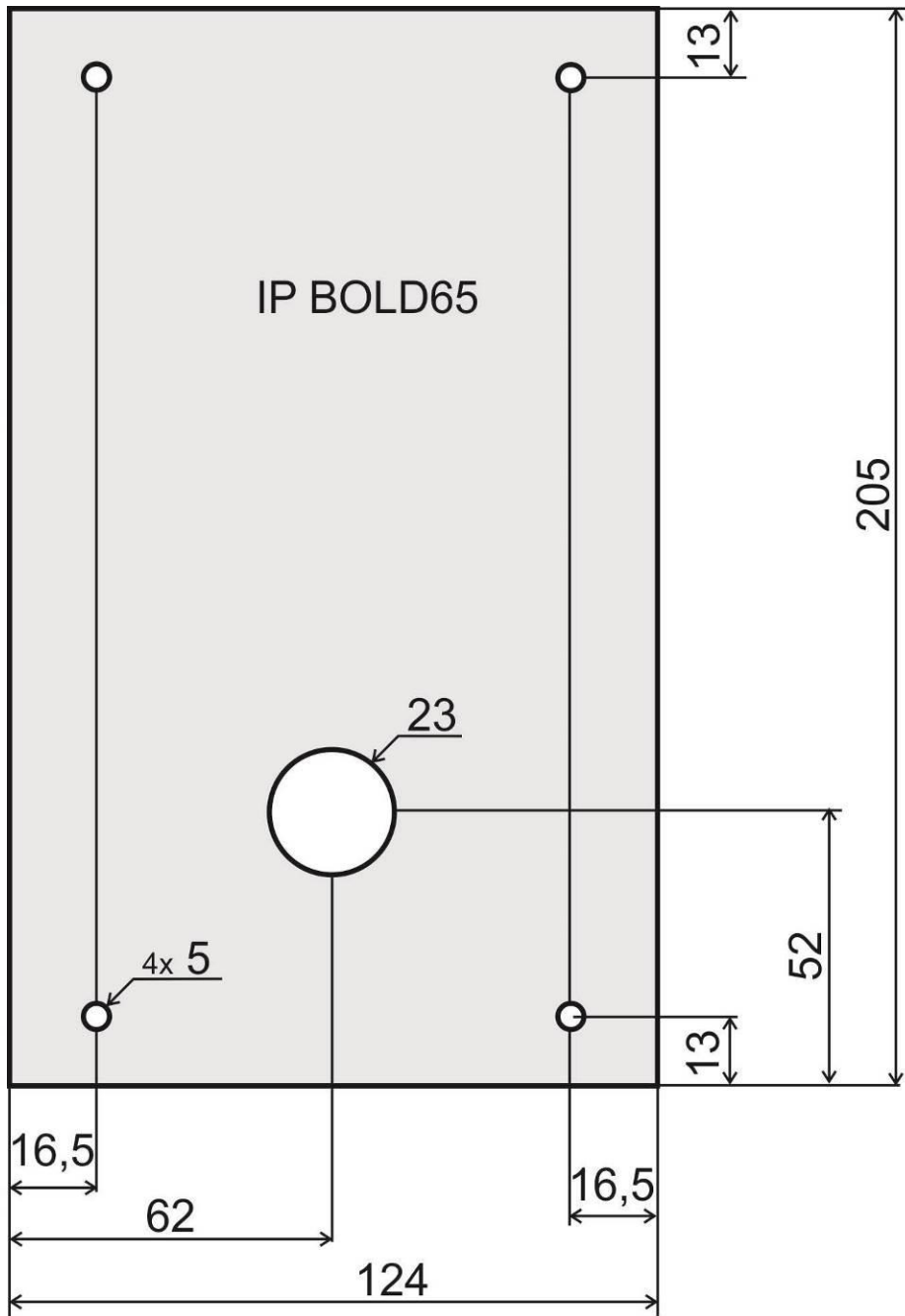


Fig 2. IP BOLD65 mounting plate



Before you connect the IP BOLD65 to your network, let's make a few initial steps. On Fig 3 below you can see the contents of the packing box.

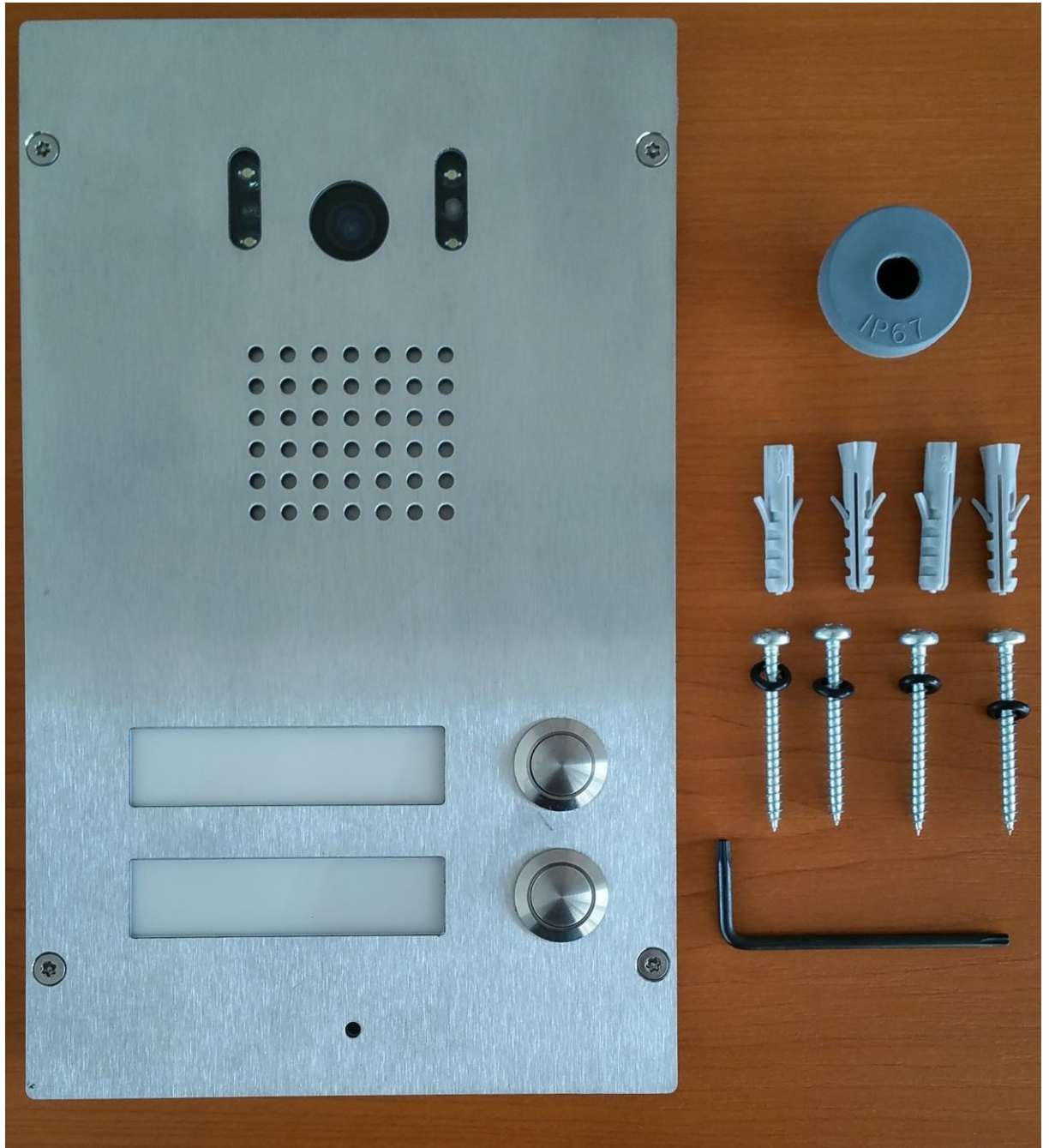


Fig. 3 Contents of IP BOLD65 T2C packing. 4x wall plug, 4x twist screw with rubber rings, 1x rubber bushing for leading in the cables and wires, 1x allen key. The IP BOLD65 unit is quite heavy, so please place underneath the unit a protection (e.g. a paper carton box) to avoid damaging your table 😊



Open the IP BOLD65 using the supplied allen key, see Fig 4 below. Open the top front cover slowly and carefully. As you can see on the Fig 4 below, the call buttons are connected to the main board via the yellow/white/green cable, so make sure you do not damage it. It is better to disconnect this call buttons cable before you continue working the unit.



Fig 4 – Open your IP BOLD65 using a supplied allen key, make sure you do not damage the cable connector, connection to the call buttons or the cable itself. It is better to disconnect the call buttons cable.

If you unplug the call buttons cable from the connector (point 22 at Fig 5 below), it will be easier to detach the front cover and work with the doorphone. Connector's orientation is based on the colours of the cable.

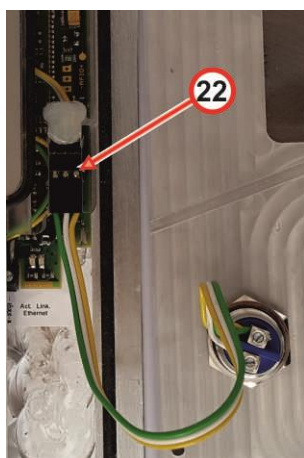


Fig 5 Unplug the call buttons cable (point 22) to detach the front cover easily.

Slowly and carefully, unscrew the illuminated name/house number module using a cross head screwdriver, see black arrows at Fig 6 below on the left side. Be careful, the illuminated module is connected to the main board via a black cable, so unscrew and detach it slowly and carefully to avoid damaging the connection cable, the cable connector or the illuminated info module. You can also disconnect this cable to avoid damaging it, it will be easier to continue your work with the unit. Avoid breaking the white/red cable leading to the microphone at the bottom part of the unit, see Fig 6 below. ***If the illuminated info module is too tight inside, unscrew screws holding the microphone, then it will be easier to pull out the illuminated info module.***

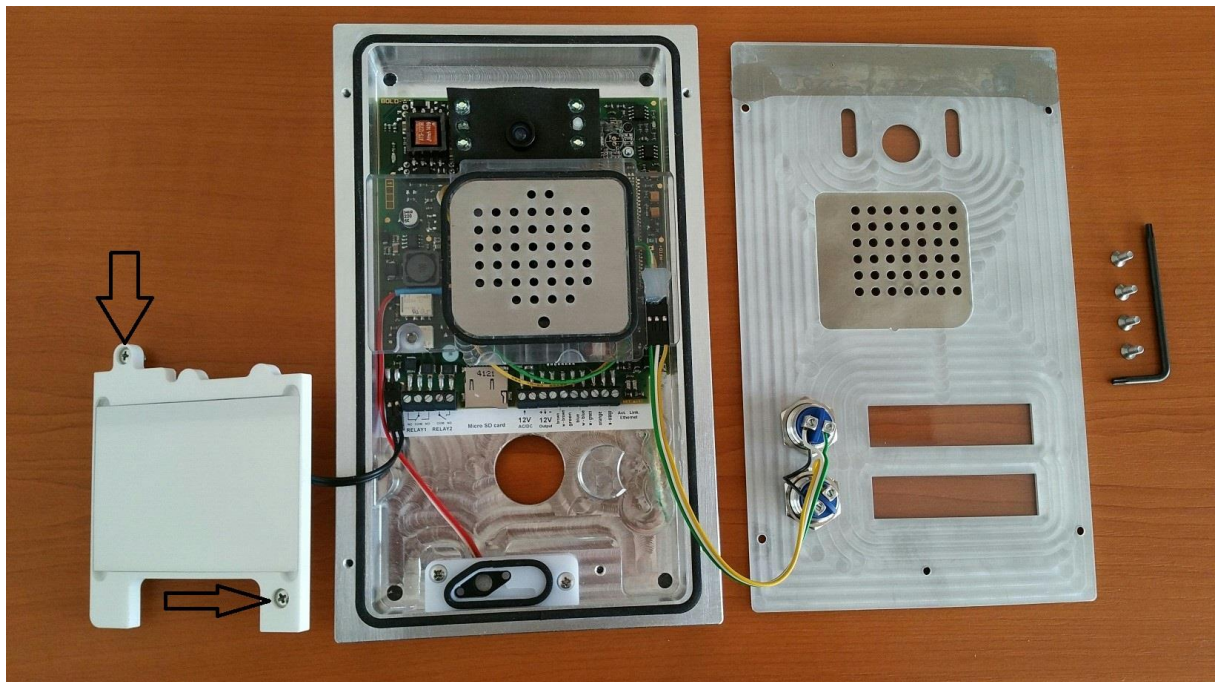


Fig 6. Using a cross head screwdriver, detach the top illuminated info module carefully (name/house number module). On the top front of the illuminated info module you can place your own label with your name, a house number or your required information, see Fig 19 for more details on changing the name plate.

To avoid water leakages into the unit, please make sure to use the rubber busing (Fig. 4 below) for ETH UTP cable, power supply adapter cable and relays wiring.

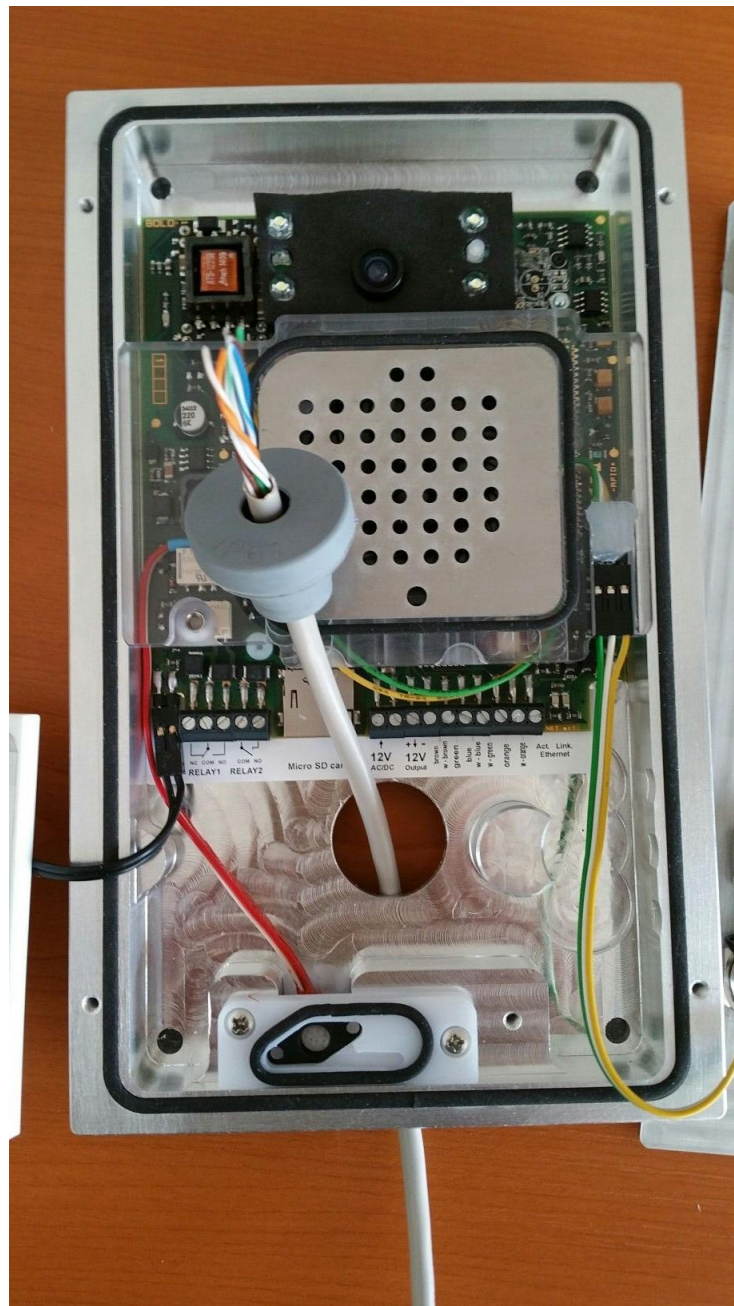


Fig. 7 Apply rubber bushing to avoid water leakages into the unit

Ethernet UTP cable, the power supply adapter cable and relay wires need to be lead through the IP67 rubber bushing, see Fig 8 below.



Fig 8. Use the rubber busing with IP67 impregnation rating to avoid any leakages inside the unit





Use the IP67 rubber busing for leading the cables and wires inside the IP BOLD65 unit.

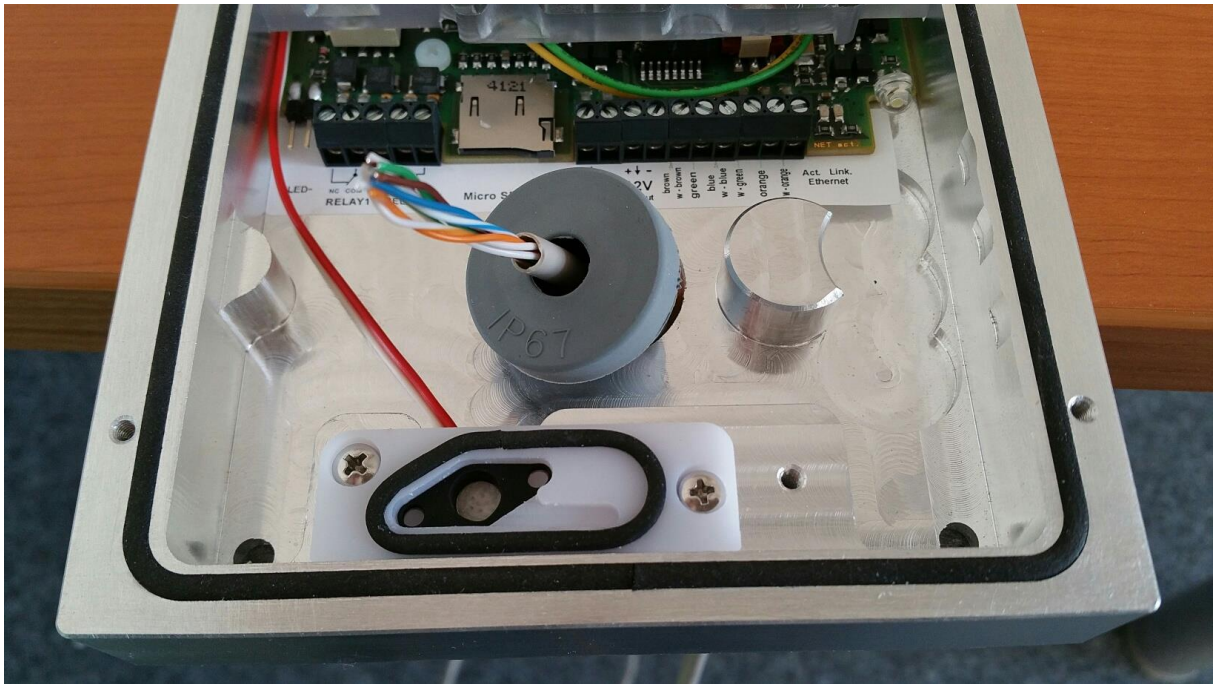


Fig 9. Use the IP67 rubber busing to avoid any leakages inside the unit

Use the IP67 rubber busing for leading the cables and wires inside the IP BOLD65 unit. Make sure it is attached tightly to the housing, so the rubber busing does not fall back inside the unit.



Fig 10. Use the rubber busing with IP67 impregnation rating to avoid any leakages inside the unit. Make sure there is enough space behind the unit inside the wall to avoid jamming the cables, damaging the rubber busing and damaging the cables.

Use the rubber busing to avoid any leakages inside the unit



Fig 11. Use the rubber busing to avoid any leakages inside the unit

Before closing the top front cover of the IP BOLD 65 unit, always use screws with rubber rings to avoid any leakages inside the unit. There are 4 screws holes for 4 screws with rubber rings, two at the top and two at the bottom of the unit. This ensures the unit is well attached/mounted to the surface of the wall.



Fig 12. Use screws with rubber rings to avoid any leakages inside the unit



Power supply: via PoE (according to IEEE802.3af) – see the Fig. 13 and Fig. 14 below or via an optional, external power supply adapter 12VDC/1A (recommended) or 12VAC/1A

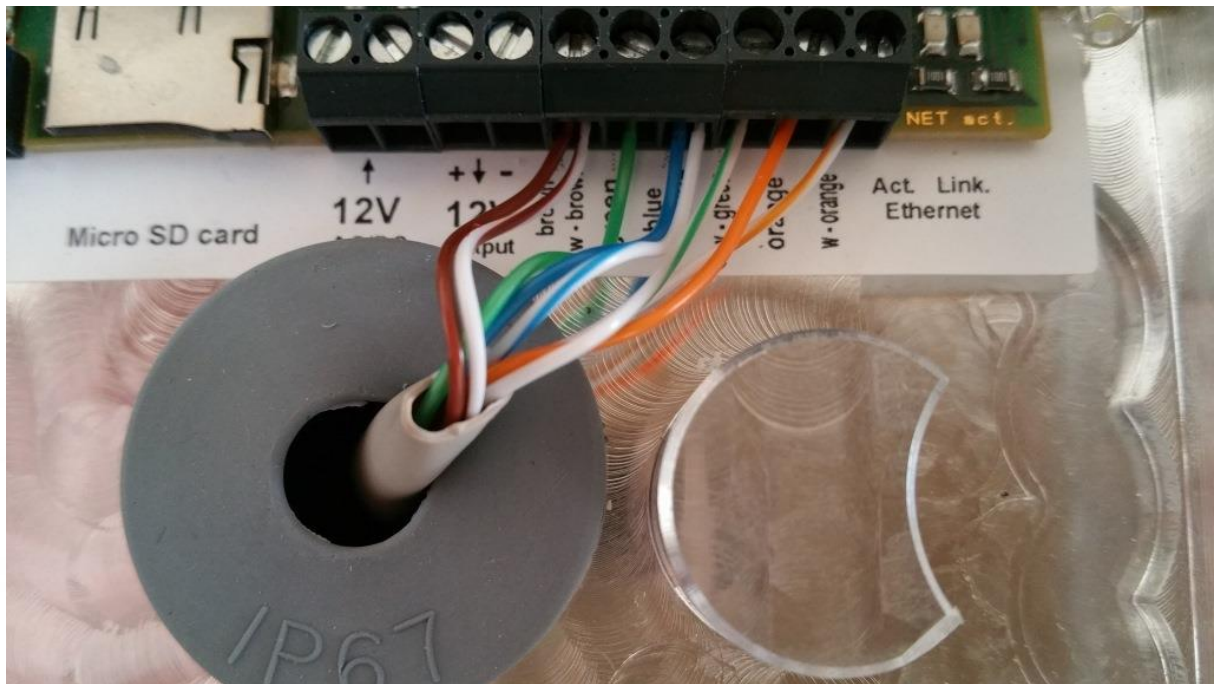


Fig. 13 – ETH UTP cable connection, PoE enabled

Ethernet UTP cable connection (also see the figure 13 above):

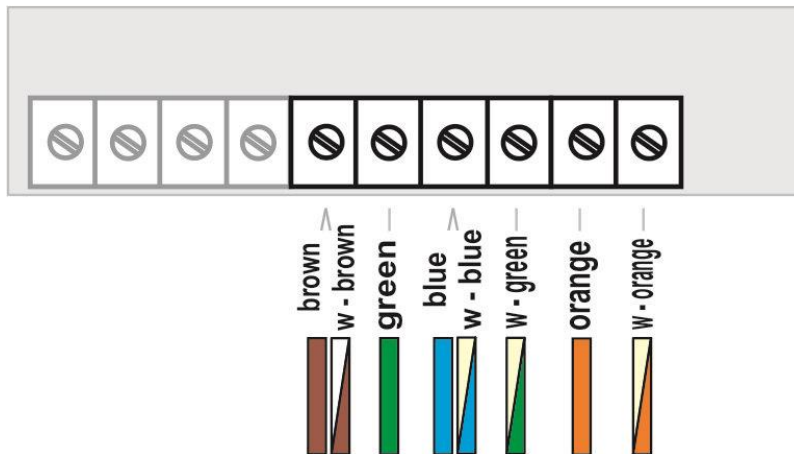


Fig. 14 Ethernet UTP cable connection



IP BOLD65 has two physical relay contacts on the main board. See Fig 15 below



Fig 15 Relay contacts of the IP BOLD65 doorphone

It is recommended to use for IP BOLD65 PoE powering (according to the directive IEEE802.3af) or AC voltage min.11VAC input - max.15VAC input or DC voltage min.12VDC - max.18VDC, which is connected to screw "12V". See Fig 16 below. The IP BOLD65 has a power consumption of max.300mA. This power supply can be used at the same time also for powering electrical lock(s). In such a case you need to consider power consumption of the el.lock(s). In most cases using an AC or DC version of the power supply adapter 12V/1A÷2A is acceptable.



Fig 16 Terminal connectors for relays and 12 power input and output

At Fig 17 and Fig 18 below you can see several examples of relays use

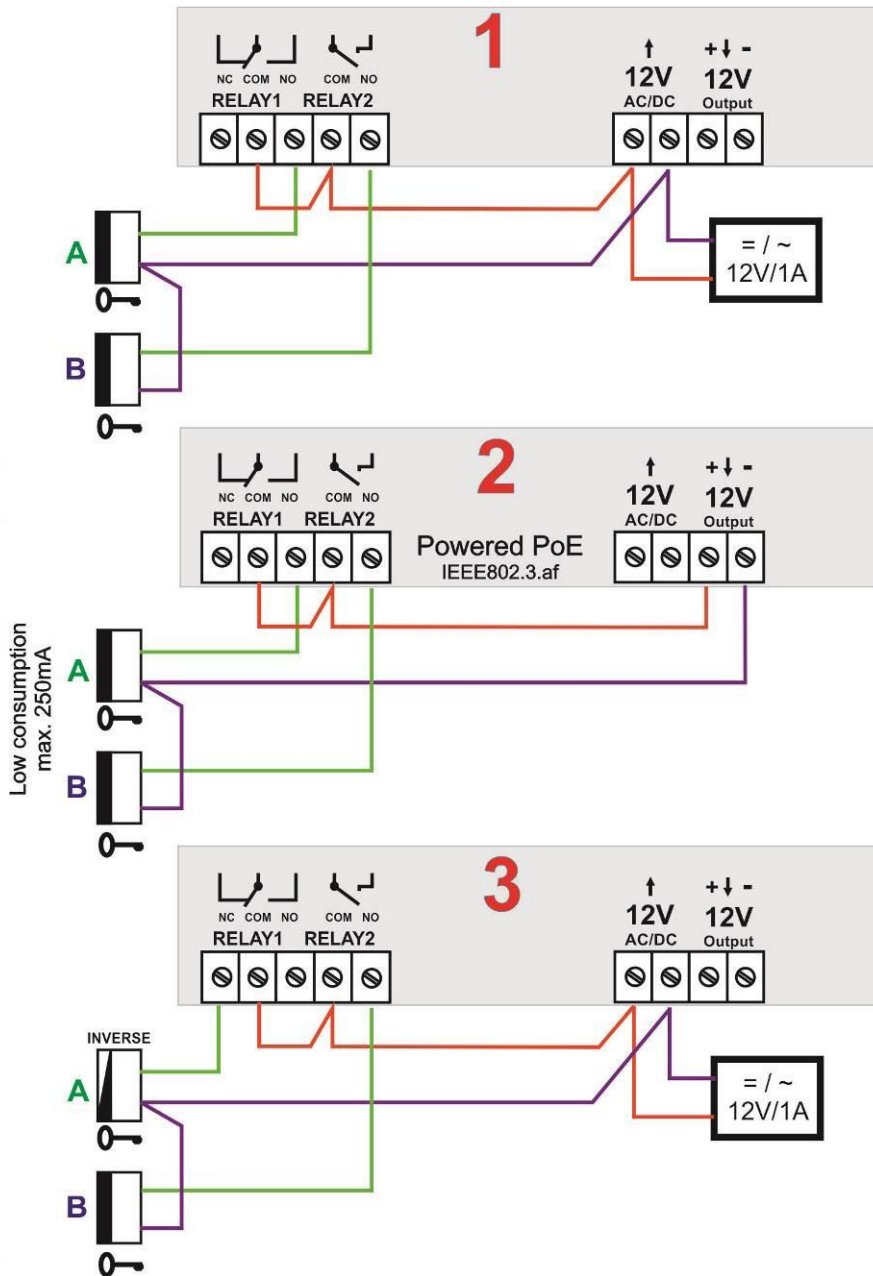


Fig 17 Examples of relays use



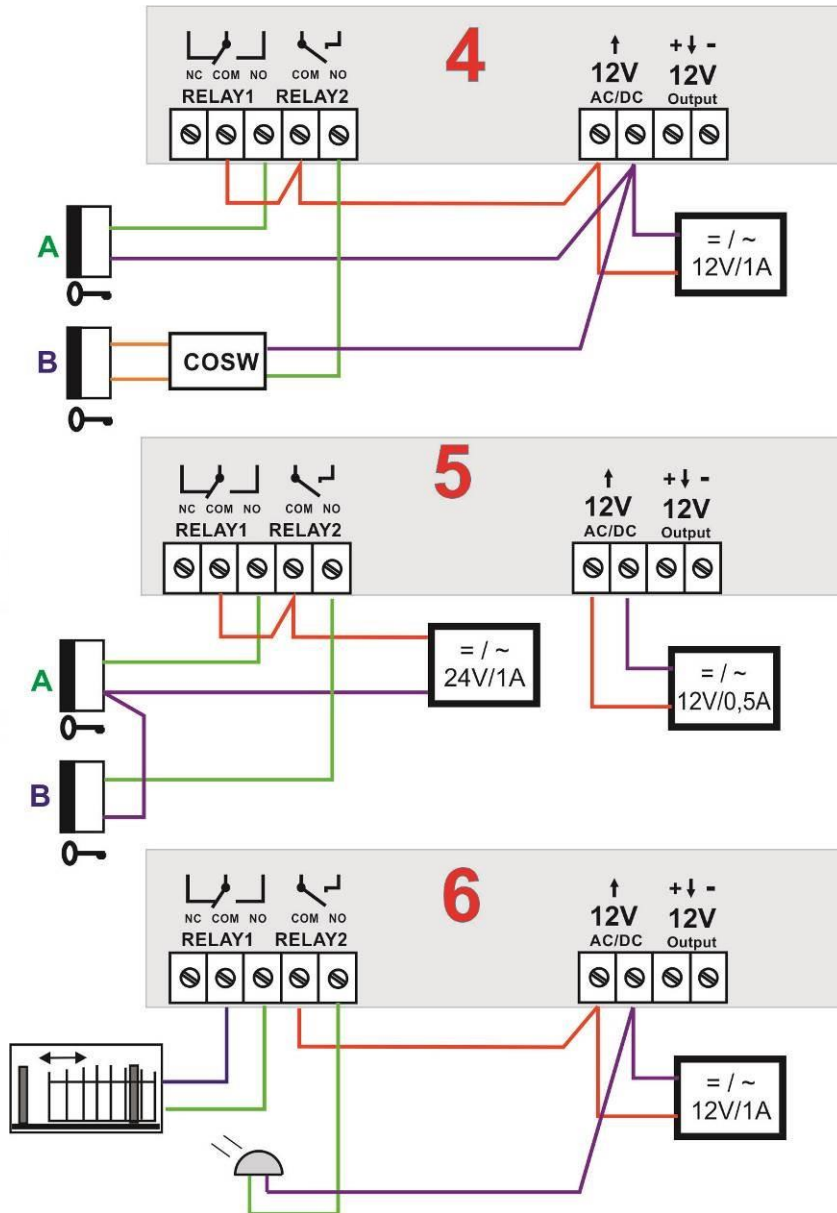


Fig 18 Examples of relays use

Changing the name plate (paper label), Fig. 19 below. Name plate size is 78x54mm. Print your text on the white paper label and fix the paper label (name plate) with a fixing, transparent adhesive tape to the upper and lower part of the illuminated info module to avoid moving the paper label. The paper label is fixed between the top front cover and the illuminated info module, so make sure you use an adhesive transparent tape to fix it well. Then the name plate will not move when closing the top front cover.



Fig.19 Name plate changing, fix it with a transparent adhesive tape.

How to access the web interface of the unit and start the setup?

Setup on your PC a default IP address in the segment of 192.168.1.xxx. In your web browser, enter URL address 192.168.1.250, make sure your computer is inside the same network segment. Then enter the default user name admin and the password 1234 to access the web interface setup menu of the IP BOLD65 unit for the first time. When entering the default user name, make sure you do not have CAPS LOCK activated on your computer. Use lower case letters only to enter the default user name admin correctly.

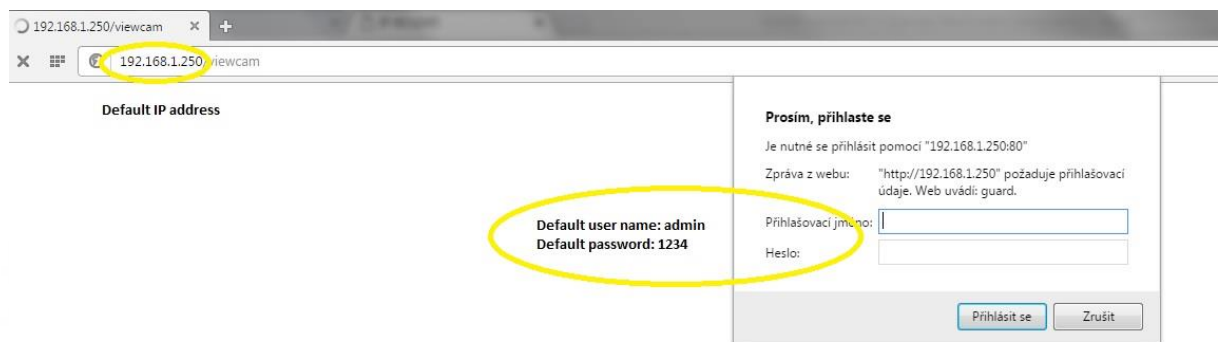


Fig 20. Enter the default IP address, default user name and default password. Be careful about CAPS LOCK on your PC, use lower case letters only

Default IP address: 192.168.1.250  
Default user name: admin  
Default password: 1234





Click on icon Setup, see Fig 21 below to enter the web interface setup menu of IP BOLD65

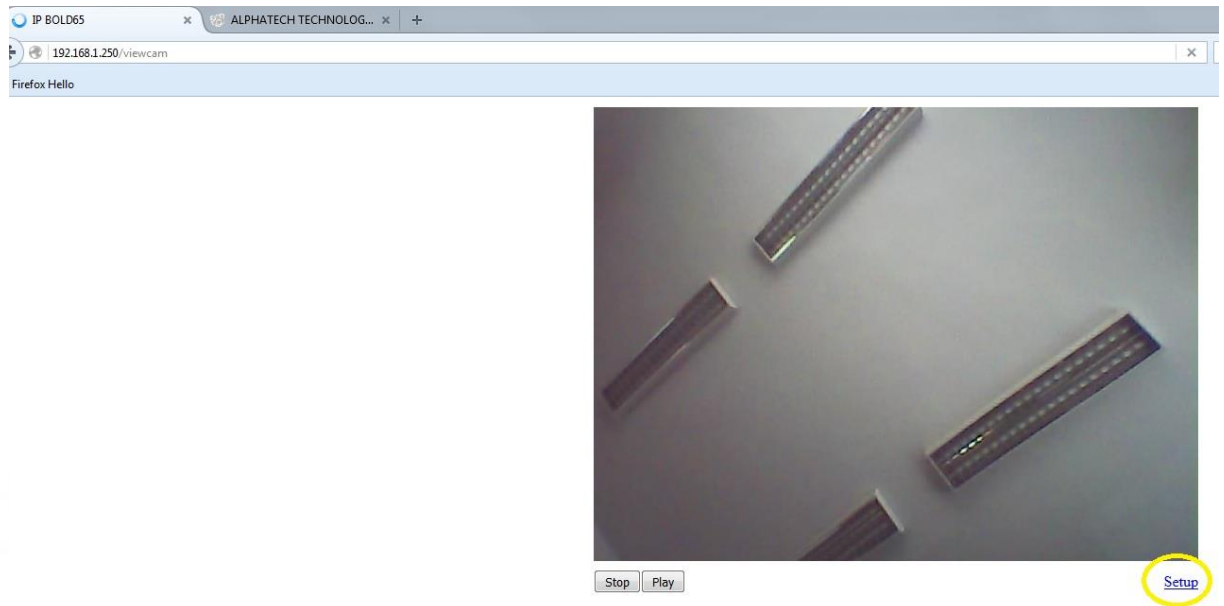


Fig 21. Click on Setup to enter the web interface setup menu

The initial status page of the web interface, see Fig 22 below



Fig 22. The initial status page of the IP BOLD65 video doorphone



The latest available firmware: <https://www.alphatechtechnologies.cz/en/firmware-ip-version-2>

